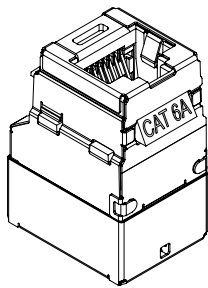
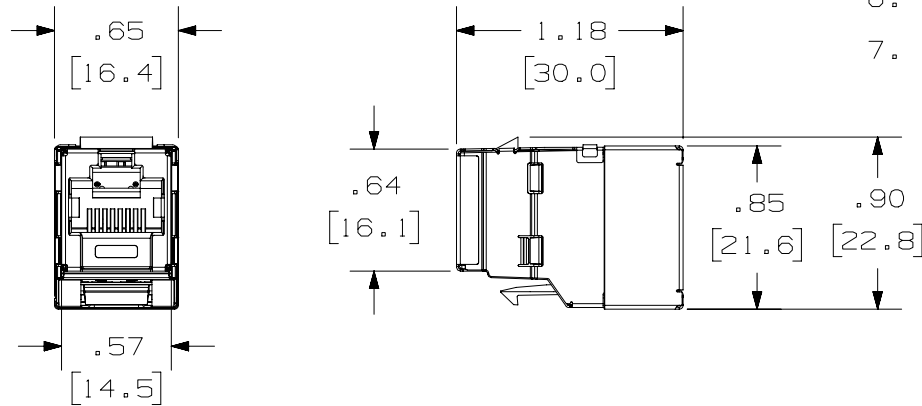
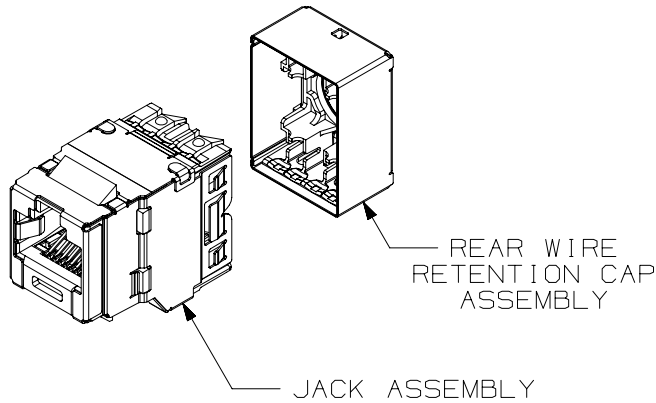
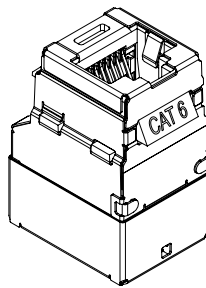


THIS COPY IS PROVIDED ON A RESTRICTED BASIS AND IS NOT TO BE USED IN ANY WAY DETRIMENTAL TO THE INTERESTS OF PANDUIT CORP.



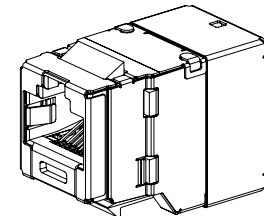
SKJ6X88BL



SKJ688BL

NOTES:

- VISIT OUR ONLINE CATALOG AT WWW.PANDUIT.COM FOR A LIST OF CURRENT PARTS APPLICABLE FOR USE WITH THIS PRODUCT.
- DIMENSIONS IN [] ARE METRIC.
- ALL MATERIALS AND COMPONENTS USED MEET THE MATERIAL RESTRICTIONS OF RoHS (EUROPEAN DIRECTIVE 2011/65/EU ON THE RESTRICTION OF HAZARDOUS SUBSTANCES) AS PROPOSED BY THE RoHS TECHNICAL ADAPTATION COMMITTEE.
- WEIGHT: 2.50 lb/100 PCS [1.135 g/100 PCS]
- PART INCLUDES:
 - 1- JACK ASSEMBLY:
 - 1- MODULE HOUSING: UL94V-0 POLYCARBONATE
 - 1- SHIELD WRAP: TIN PLATED PHOSPHOR-BRONZE
 - 1- REAR WIRE RETENTION CAP ASSEMBLY
 - 1- RETENETION CAP: UL94V-0 POLYCARBONATE
 - 1- SHIELD WRAP: TIN PLATED PHOSPHOR-BRONZE
- MODULE IS CODED FOR T568A AND T568B WIRING SCHEMES.
- ALL CATEGORY 6 AND CATEGORY 6A, 8 POSITION 8 WIRE CONNECTOR MODULES ARE UNIVERSAL IN DESIGN. THEY WILL ACCEPT SIX AND EIGHT POSITION MODULAR PLUGS WITHOUT DAMAGE.



| | | | | |
|--|--|---------------------|------|-------|
| PART NUMBER | | SKJ6X88BL, SKJ688BL | | |
| TITLE | | | | |
| SHIELDED KEYSTONE PUNCH DOWN MODULAR JACK ASSEMBLY | | | | |
| CUSTOMER DRAWING | | | | |
| ITEM REVISION NAME | | 01174EAA/01 | | |
| DATASET FILE NAME | | 01174EAA_DC/01B | | |
| MATERIAL | | SEE NOTE 5 | | |
| DRAWN BY | | DATE | CHK | SCALE |
| BJN | | 3-13-24 | ROJC | NONE |
| DRAWING NUMBER | | 01174EAA-DC | | |
| SHEET 1 OF 1 | | A | | |

| REV | DATE | BY | CHK | APR | DESCRIPTION | ECN |
|-----|---------|-----|------|-----|-----------------|-------------|
| 01B | 2-27-25 | BJN | ROJC | SKH | UPDATED | M09000ZC |
| 01A | 3-13-24 | BJN | ROJC | SKH | INITIAL RELEASE | 01174EAA-DC |