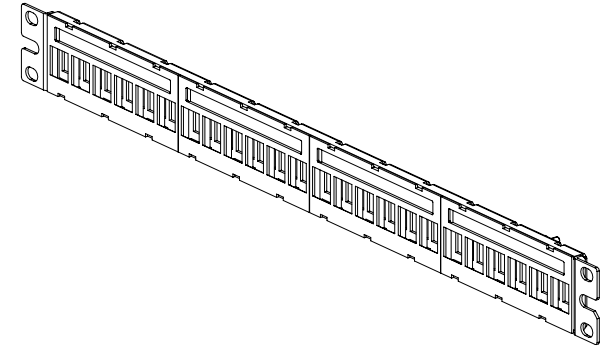
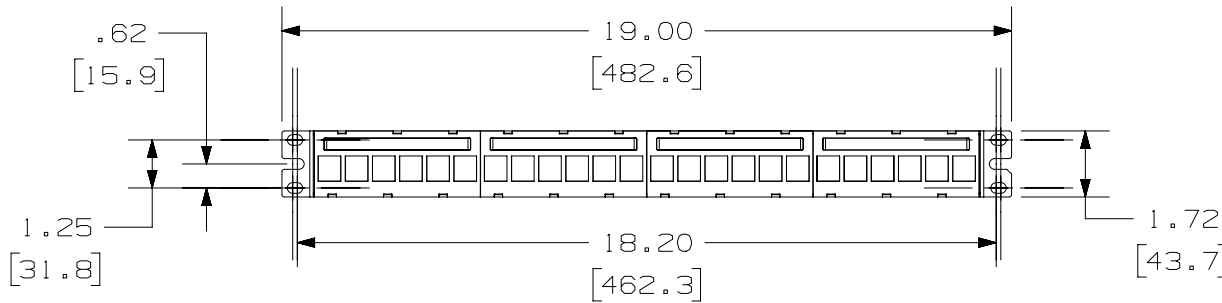
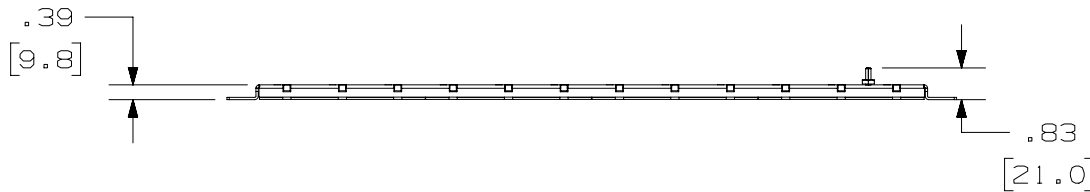
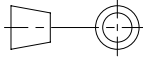


THIS COPY IS PROVIDED ON A RESTRICTED BASIS AND IS NOT TO BE USED IN ANY WAY DETRIMENTAL TO THE INTERESTS OF PANDUIT CORP.

NOTES:

1. VISIT OUR ON-LINE CATALOG AT WWW.PANDUIT.COM FOR A LIST OF CURRENT PARTS APPLICABLE FOR USE WITH THIS PRODUCT.
2. DIMENSIONS IN [ ] ARE METRIC.
3. ALL MATERIALS AND COMPONENTS USED MEET THE MATERIAL RESTRICTIONS OF RoHS (EUROPEAN DIRECTIVE 2011/65/EU ON THE RESTRICTION OF HAZARDOUS SUBSTANCES) AS PROPOSED BY THE RoHS TECHNICAL ADAPTATION COMMITTEE.
4. WEIGHT: 248.3g
5. PART INCLUDES:
  - 1- #6-32 GROUNDING PEM WITH NUT
  - 4- LABELS
  - 4- LABEL COVERS
  - 1- SCREW KIT (INCLUDES 4 #12-24 SCREWS AND SERRATED WASHERS)



PART NUMBER		SKPP24BL		
TITLE		SHIELDED KEYSTONE 24-PORT PATCH PANEL		
		CUSTOMER DRAWING		
ITEM REVISION NAME		01176EAA/03		
DATASET FILE NAME		01176EAA_DC/03B		
		THIRD ANGLE PROJECTION		
MATERIAL		STAMPING (STAINLESS STEEL) FACEPLATES (ABS PLASTIC)		
DRAWING NUMBER		01176EAA-DC		
DRAWN BY	DATE	CHK	SCALE	SIZE
BJN	3-18-24	MDJR	NONE	A

REV	DATE	BY	CHK	APR	DESCRIPTION	ECN
03B	6-21-24	MDJR	ROJC	JESA	A. UPDATED NOTES 4 & 5	M09000WN
03A	4-03-24	BJN	MDJR	MMR	INITIAL RELEASE	M09000VZ

A-SIZE CUSTOMER