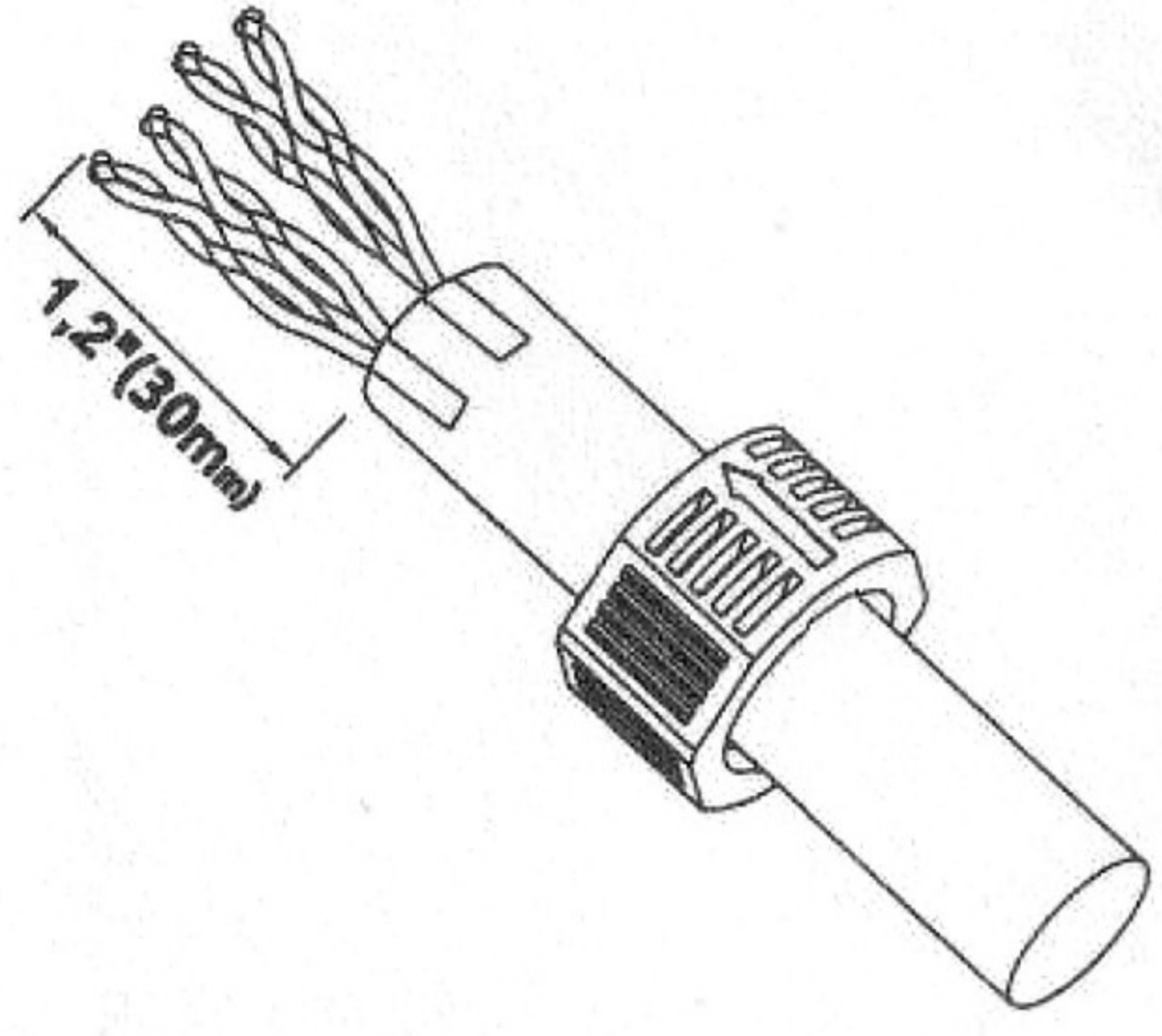
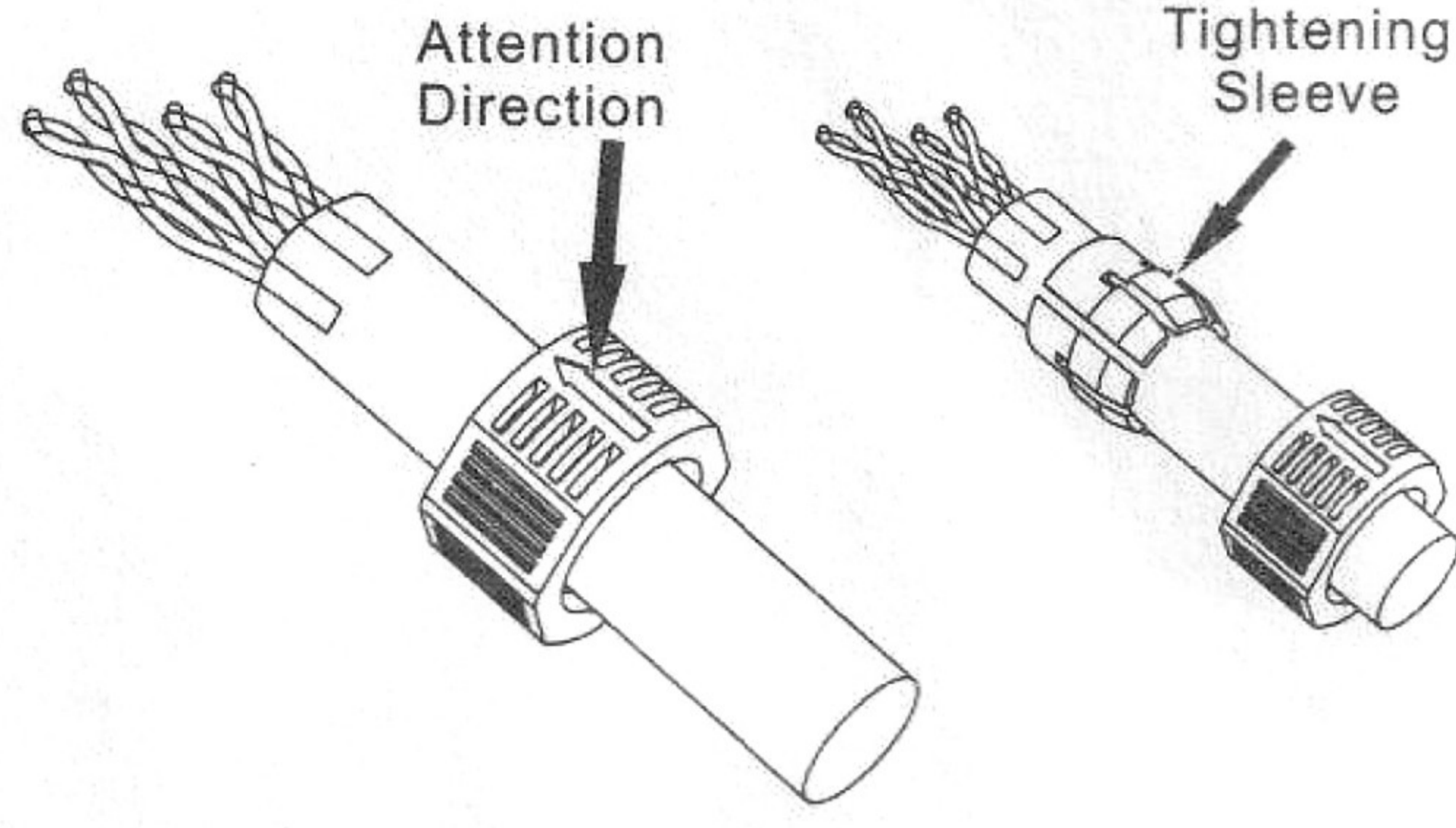


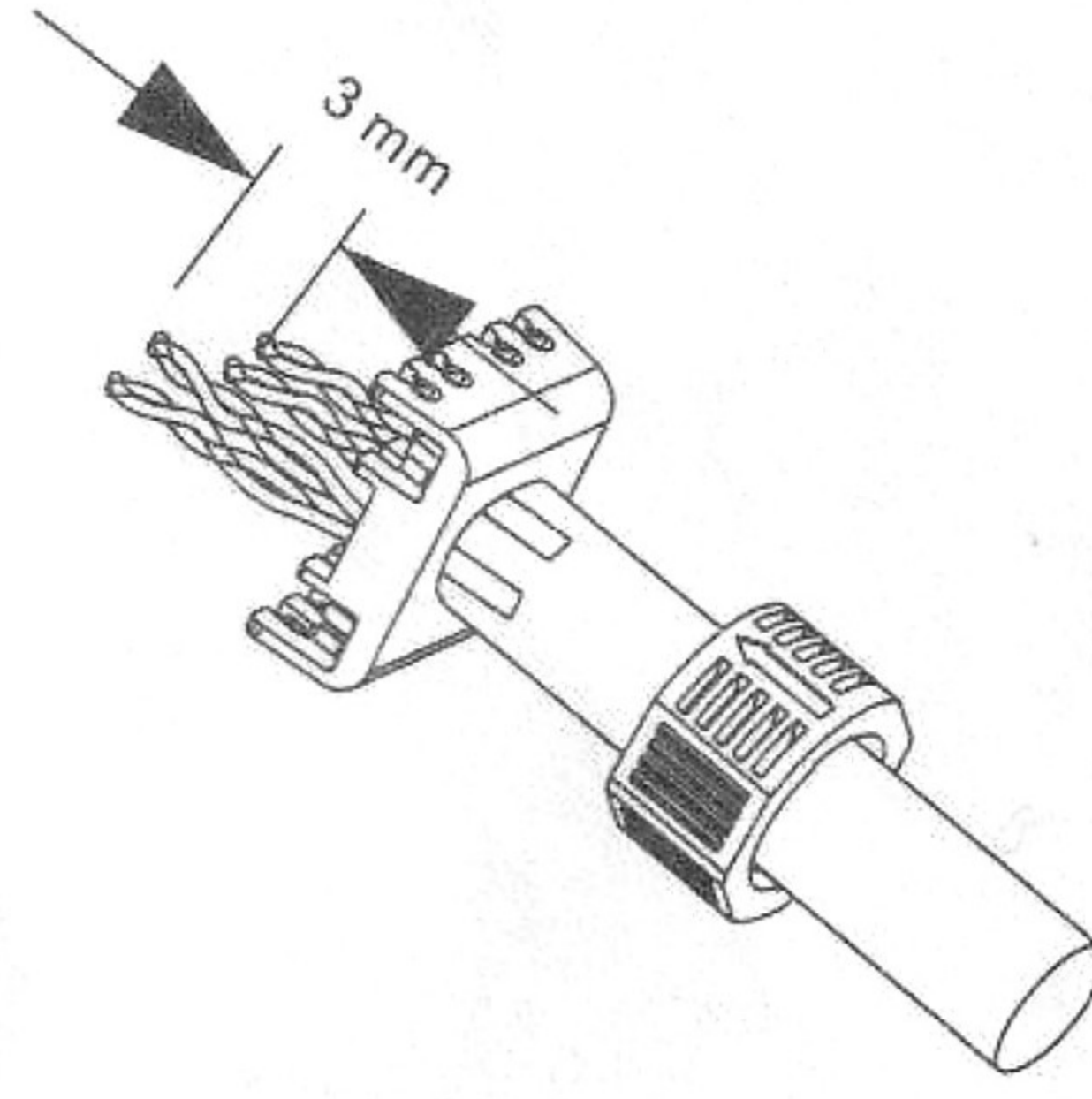
Instruction Manual



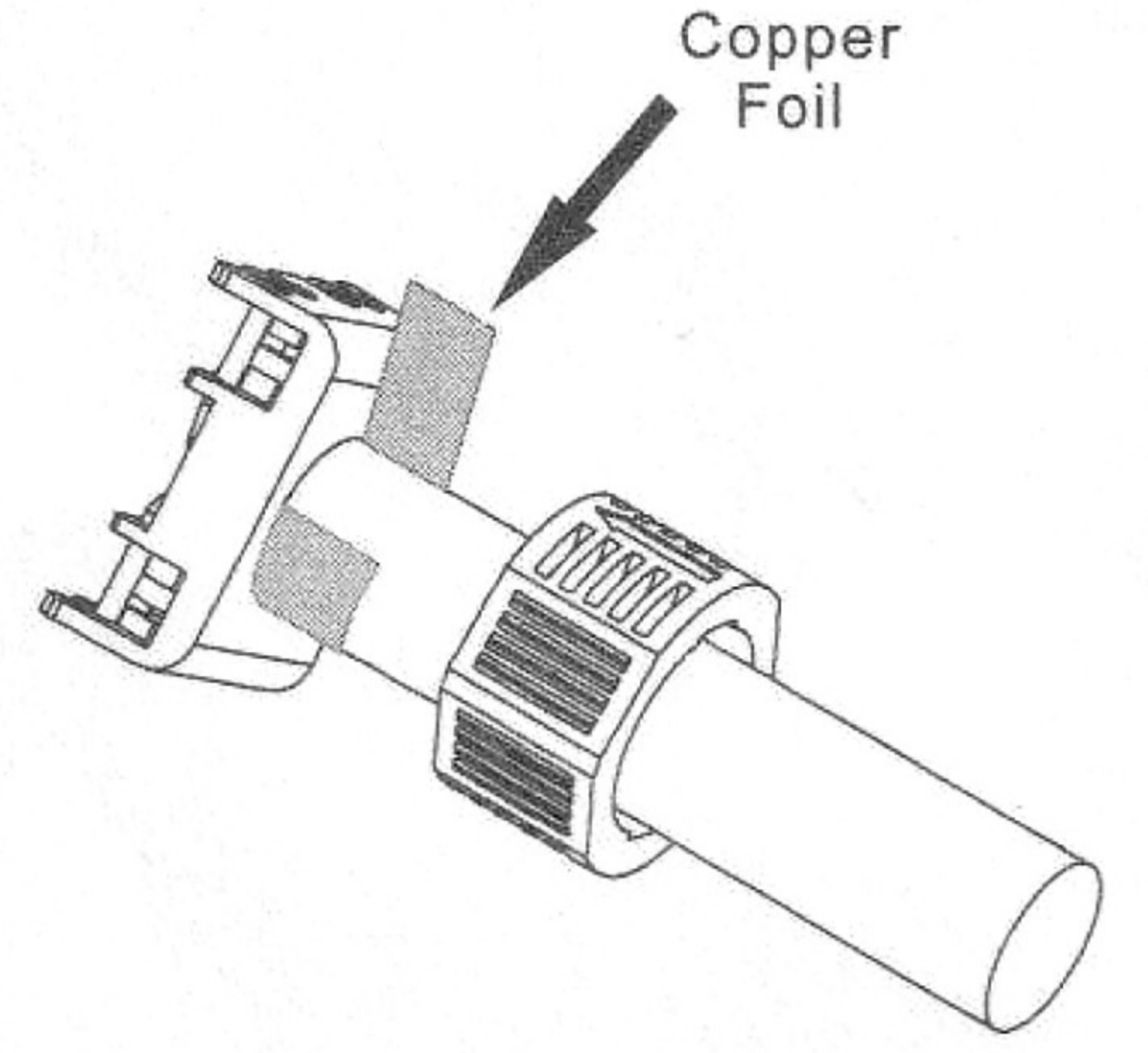
1 Insert cable into strain relief boot, strip off 1.2 inch of cable jacket. Turn back the outer shielding layer and put a locking cap on it. Notice the arrow of the locking cap need point forward



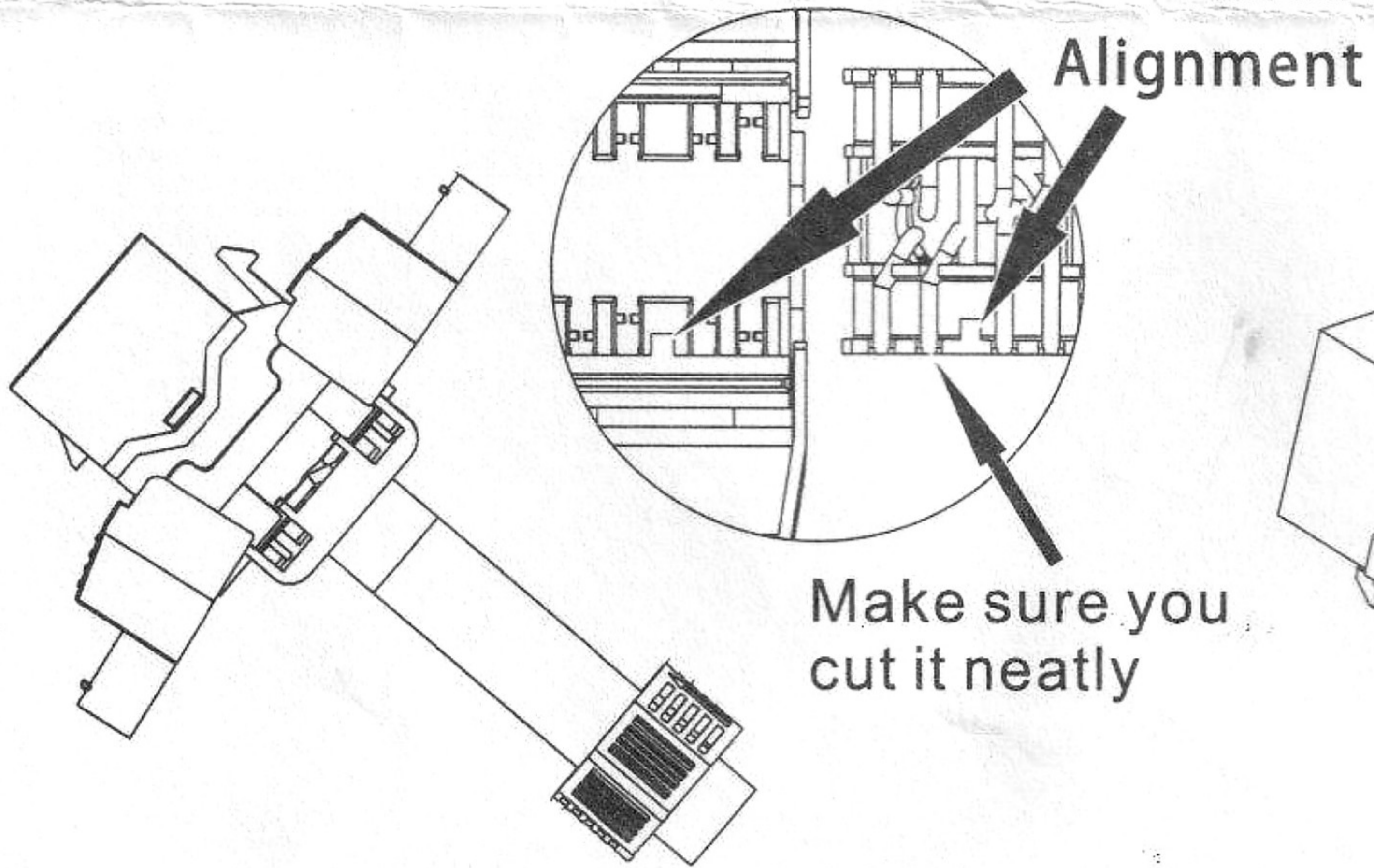
2 Cut off the shield layer of each pair of lines. If the diameter is less than 6.5mm, the tightening sleeve should be added



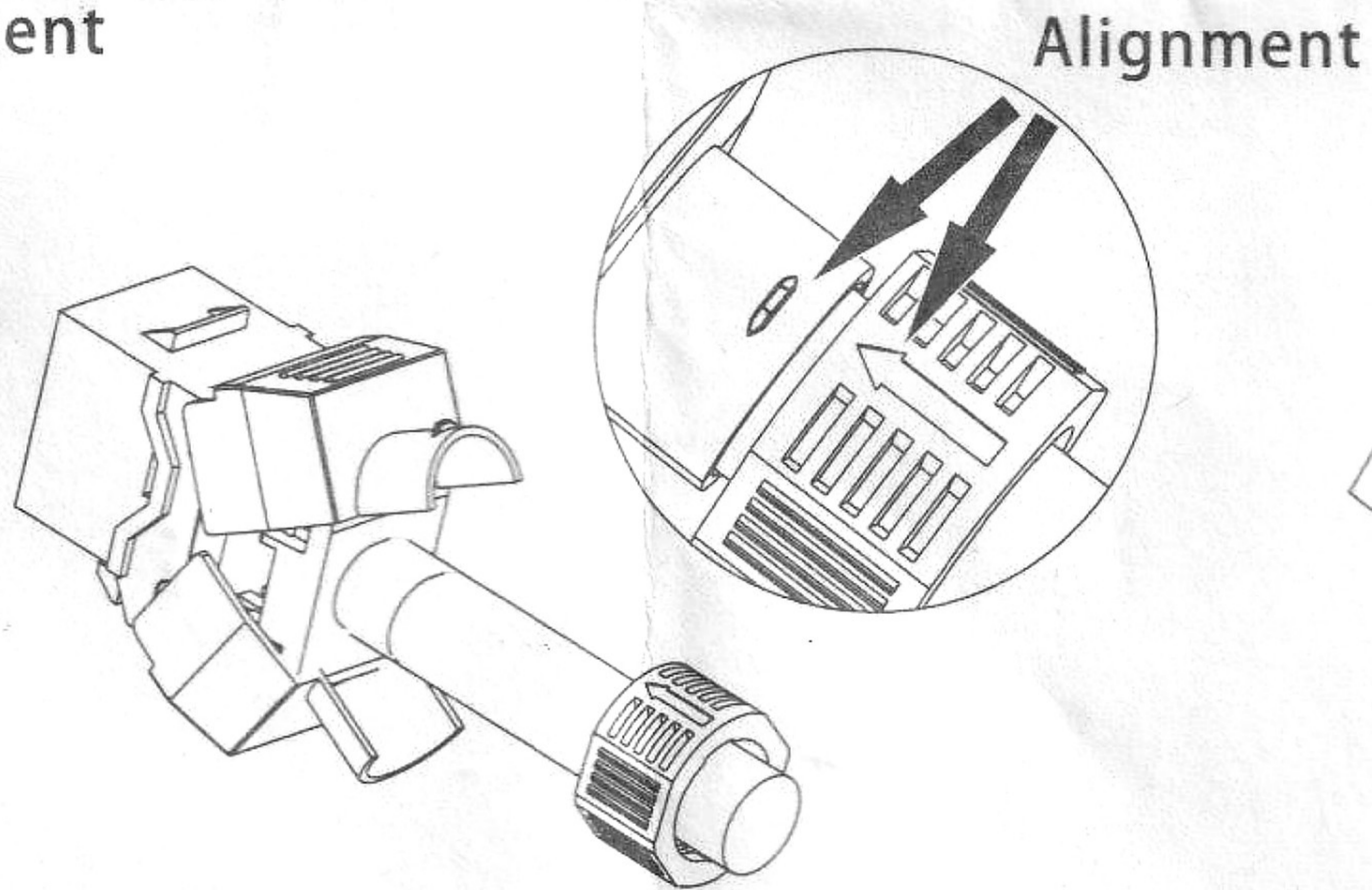
3 In order to thread easily, cut the length of the four pairs lines into the above picture.



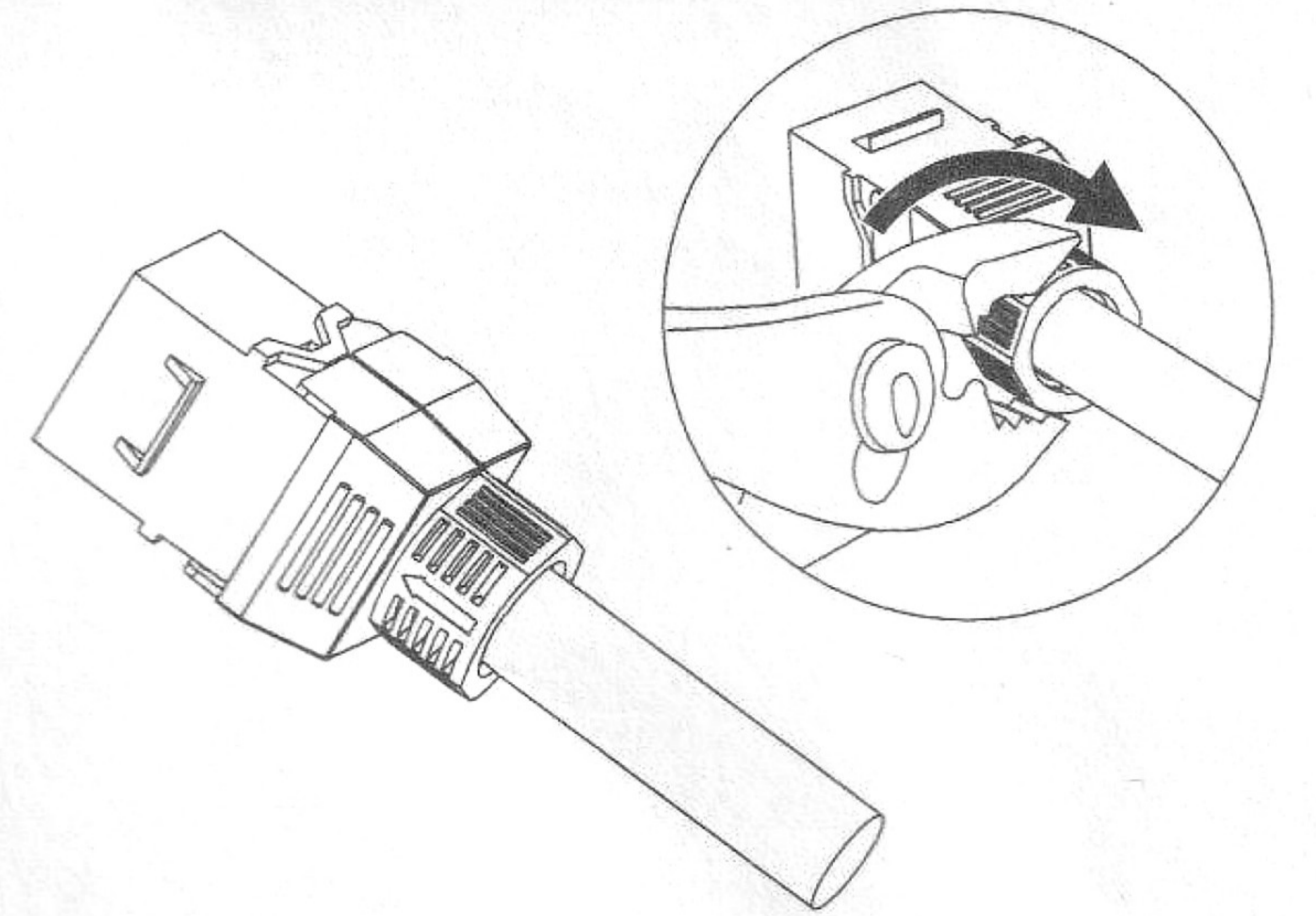
4 If the diameter of the wire is greater than 6.5mm, copper foil should be wrapped around the shielding wire.



5 Align the slots of the wire cap, cover the wire cap, and prepress it.



6 Close the back cover and compact it.



7 Put on the locking cap and lock it clockwise