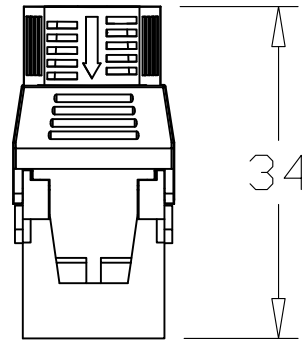
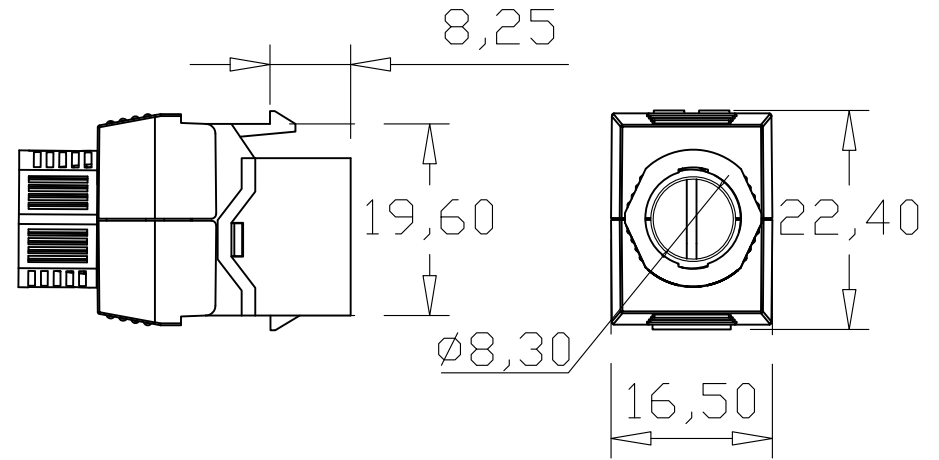
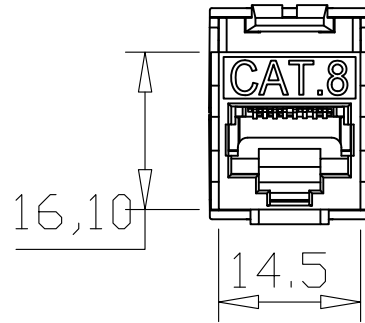
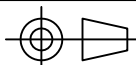


CAT8 Class I RJ45 plug to be assembled in the field

- FTP TYPE: 1 piece Design
- Easy Assembly - easily terminated in the field in 2 minute without any special tools
- Operation temperature:-40°C to 60°C, Relative humidity: 85%(30°C), Air pressure: 70-106Kpa.
- Gold Plated Phosphor Bronze Blade: phosphor bronze and gold plating (3~50uinch), mating durability not less than 750 cycles ;
- Anti-burn performance: product made from Kirsite \ PC
- Intermediate resistance: no more than 20m ohm in normal atmosphere pressure (not including bulk resistor) ;
- Insulated resistance: no less than 1,000M ohm in normal atmosphere pressure ;
- Retention strength: 7.7kg between jack and plug.
- Label: clear label to ensure easy to management ;
- Wire Connection: Solid wire AWG 22/1



TITLE:			NINGBO KINGDA ELECTRONICS CO., LTD			
	INCH	MM				
.X	.015	.30				
.XX	.010	.10				
.XXX	.005	.05	TITLE: KEYSTONE JACK			
DRAWN BY	MA		P/N: KD-KJ2068SHC8			
CHECK BY	SCALE	1:1		REV 1.2		
	UNIT	MM				
APPD BY	SHEET	1/1	DWG NO:			
	DATE	2019/08/15				