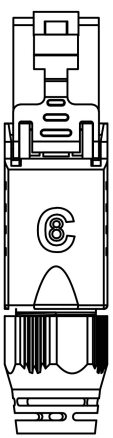


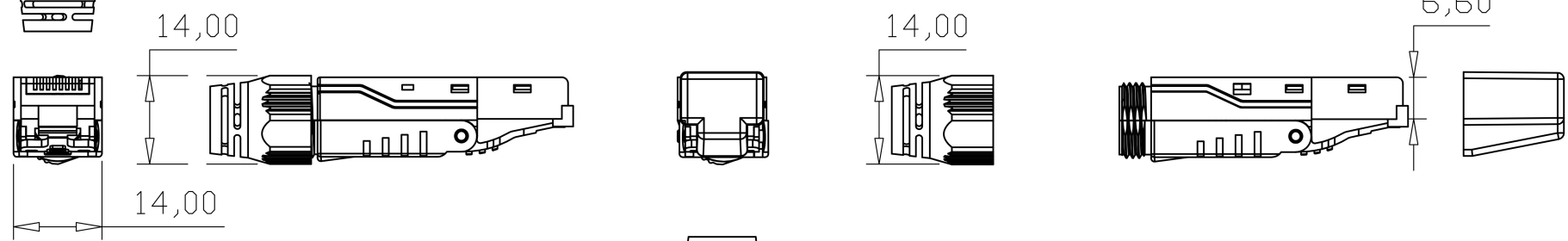
1 2 3 4 5 6

A

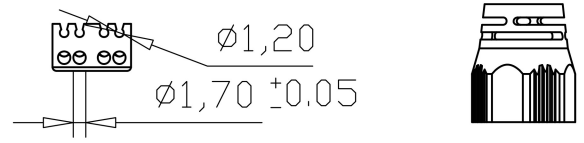


- CAT8 Class I RJ45 plug to be assembled in the field
- FTP TYPE: 1 piece Design
 - Easy Assembly - easily terminated in the field in 2 minute without any special tools
 - Operation temperature:-40℃ to 60℃, Relative humidity: 85%(30℃), Air pressure: 70-106Kpa.
 - Gold Plated Phosphor Bronze Blade: phosphor bronze and gold plating (3~50uinch), mating durability not less than 750 cycles ;
 - Anti-burn performance: product made from Kirsite \ PC
 - Intermediate resistance: no more than 20m ohm in normal atmosphere pressure (not including bulk resistor) ;
 - Insulated resistance: no less than 1,000M ohm in normal atmosphere pressure ;
 - Intensity of anti-currency: DC 1,000V (AC,700V), no puncture and flash-over phenomenon in one minute ;
 - Retention strength: 7.7kg between jack and plug.
 - Label: clear label to ensure easy to management ;
 - Cable Jacket Diameter from 6 to 8.3 mm

B

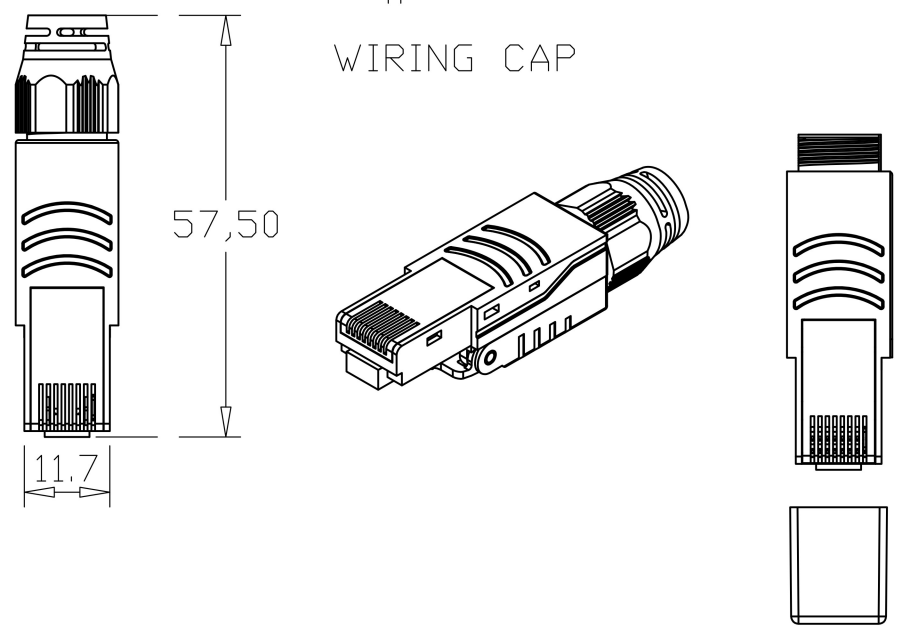



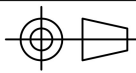
C



WIRING CAP

D



TITLE:			 NINGBO KINGDA ELECTRONICS CO., LTD	
	INCH	MM		
.X	.015	.30		
.XX	.010	.10	TITLE: KD-PG8030-C8	
.XXX	.005	.05		
DRAWN BY	MA		STP CAT8 Toolless Plug	
CHECK BY	SCALE	1:1	 REV	DWG NO:
	UNIT	MM		
APPD BY	SHEET	1/1		
	DATE	2019/01/10		

1 2 3 4 5 6